

SHARPLINE®

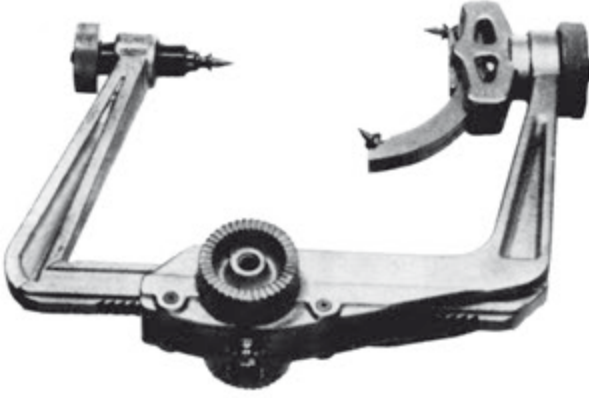
HARD QUALITY

NEUROSURGERY

Skull clamp systems & Neuro surgical attachments



MANUFACTURING



MAYFIELD
19.540.01
Kafa klampı/Skull clamp



MAYFIELD
19.540.06
B y kler i in
Adult size



MAYFIELD
19.540.07
 ocuklar i in
Child size



MAYFIELD
19.540.02
Masa baėlantı aparatı
Table fixation attachment



MAYFIELD
19.540.05
Masa baėlantı aparatı
Table fixation attachment

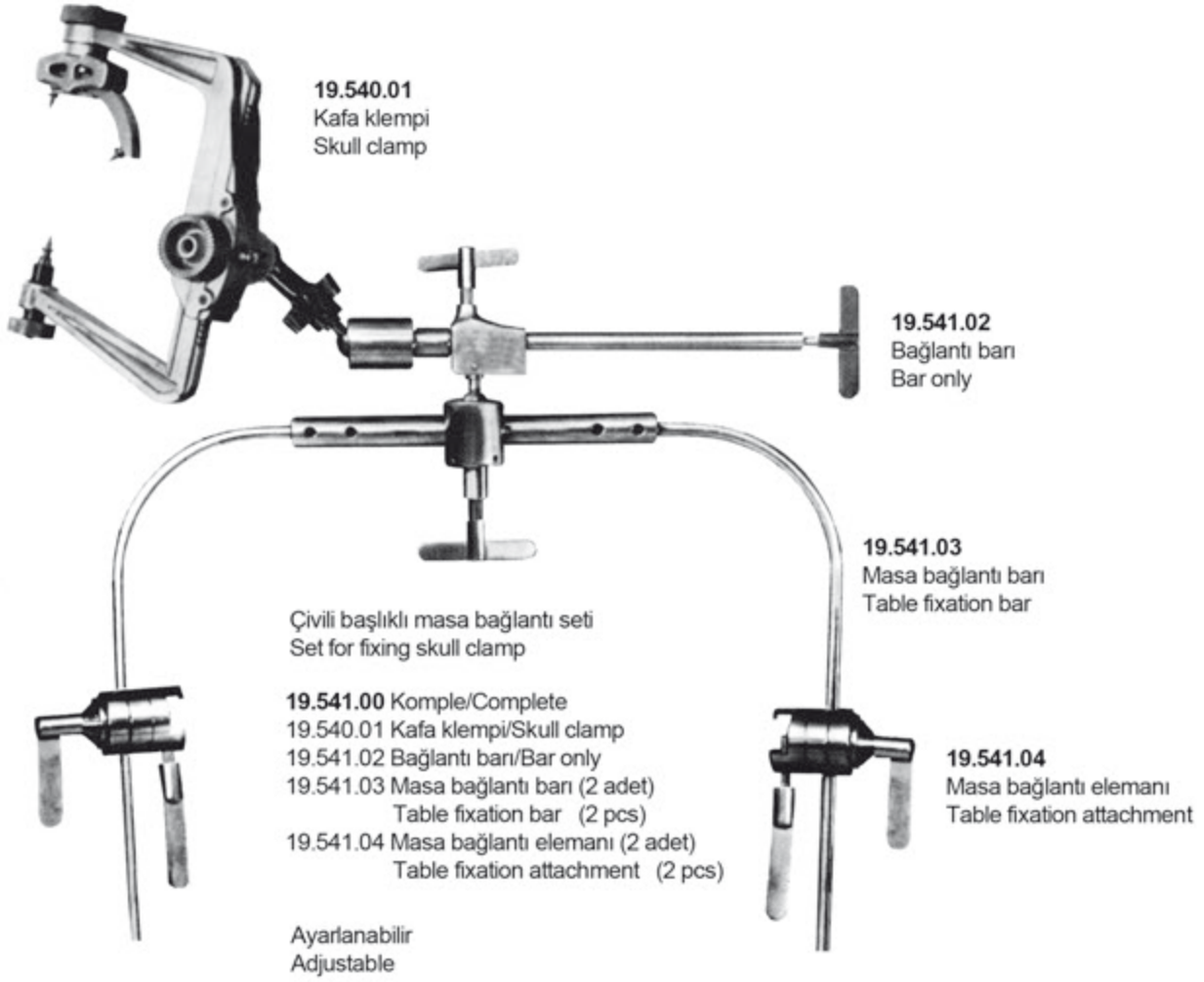
MAYFIELD
19.540.04
Masa baėlantı aparatı
Table fixation attachment



SHAMPAINE
19.540.08
Masa adapt r 
Table adaptor

 ivili bařlıklı masa baėlantı seti
Set for fixing skull clamp

- MAYFIELD
19.540.00 Komple/Complete
19.540.01 Kafa klampı/Skull clamp
19.540.02 Masa baėlantı barı (2 adet)/Table fixation bar (2 pcs)
19.540.04 Masa baėlantı aparatı/Table fixation attachment
19.540.05 Masa baėlantı aparatı/Table fixation attachment
19.541.04 Masa baėlantı elemanı (2 adet)/Table fixation attachment (2 pcs)



19.541.05
Masa bağlantı barı
Table fixation bar

